

SURGICAL SCRUB SINKS

Manufactured of the highest quality possible, Future Health Concepts, Inc. delivers a full line of hands free, fully functional Surgical Scrub Sinks. Combining the best materials, components, and craftsmanship available, each sink is hand built to the customer's specific need.

SS Series Scrub Sink Standard Features:

- Deep sloping basin
- Adjustable thermostatic controlled pressure regulating mixing valve, one per station
- Check stop strainers for ease of maintenance
- High mount swivel gooseneck spout with adjustable swivel spray aerator
- Flow control valve
- Backflow preventers
- Infrared sinks are equipped with a 24 volt plug in transformer
- Splash screen dividers with double and triple station sinks
- Main support and Z-brackets (in-wall support optional)
- 304 stainless steel polished and ground to a #4 finish

Knee Operated Surgical Scrub Sinks:

The operation of these sinks is simple. Press the knee panel one time to activate water flow. Press again to stop flow. The soap panel works in a pumping fashion with soap being dispensed through a stainless steel spout located near the mixing valve. The base has been designed to accommodate gallon sized soap container storage behind the knee panels.

Infrared Operated Surgical Scrub Sinks:

The infrared sensor is located on the front of each station and is activated by the user's waist. There is a 2 second on/off delay for water flow. The sensor range is 12" to 14". Both features combined eliminate activation by simply passing by. Optional knee operated or foot control soap pumps are available.

Deluxe Surgical Scrub Sinks:

Built as a hybrid, these sinks have dual controls. Equipped with infrared operated water control as well as a manual bypass for knee operated water control. The main operation is via the infrared sensor located between the knee panels. The knee operation for water control is on standby as a backup. In addition the sink is also equipped with knee operated soap.



Knee Operated Surgical Scrub Sink
Model # FHCSS32-PB
Pedestal Base Shown



Infrared Operated Surgical Scrub Sink
Model # FHCSS32-IR-FSP



Deluxe Surgical Scrub Sink
Model # FHCSS64-IR-MB

SS Series Surgical Scrub Sinks Features and Options:



Model # FHCSS96-IR-MB-TM-EYE

Optional Recommended Products:

Sink Model	In-Wall Chair Carrier #	Shelf Over Sink #	Lighted Shelf Over Sink #
SINGLE	P-617106-846	FHCSS3211.5	FHCSSL3211.5
DOUBLE	P-617106-852	FHCSS6411.5	FHCSSL6411.5
TRIPLE	P-617106-851	FHCSS9611.5	FHCSSL9611.5

How To Order SS Series Sinks:

Options Available	Infrared Operation	Manual Bypass to add Knee Operated Water and Soap With IR Operation	Knee Operated Soap With IR Operation	Foot Operated Soap (All Sinks)	Digital Scrub Timer	Eye Wash	220-240V	Pedestal Base
Option Extension	IR	MB	KSP	FSP	TM	EYE	220	PB

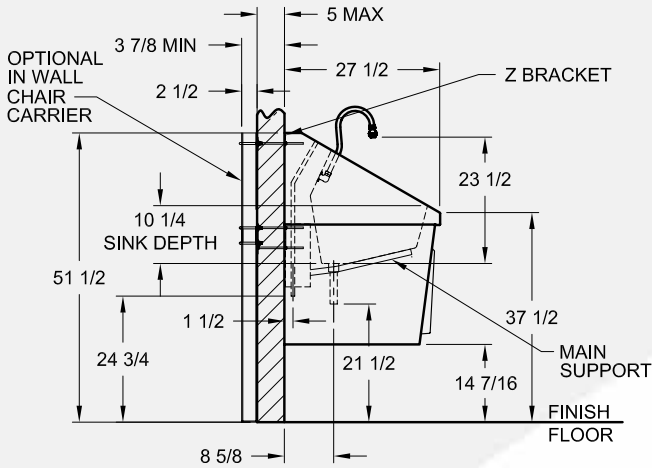
Single Station Scrub Sink: Model FHCSS32 - _____ - _____ - _____ - _____ - _____ - _____ - _____ - _____
 Dual Station Scrub Sink: Model FHCSS64 - _____ - _____ - _____ - _____ - _____ - _____ - _____ - _____
 Triple Station Scrub Sink: Model FHCSS96 - _____ - _____ - _____ - _____ - _____ - _____ - _____ - _____

Example: Model # FHCSS64 Infrared Operated with Knee Operated Water and Soap plus Digital Scrub Timers = Our Model # FHCSS64-IR-MB-TM.

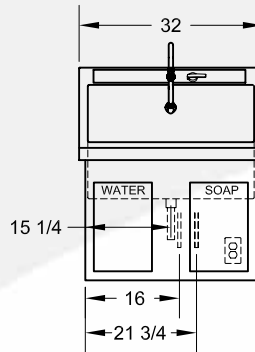


1/2" WATER SUPPLY LINE DETAIL
USED ON ALL SS SERIES SINKS

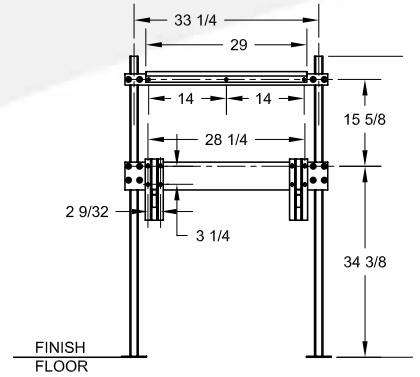
SS Series Surgical Scrub Sinks Specs:



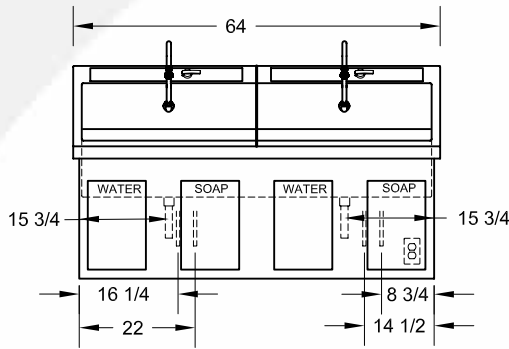
FHCSS-32



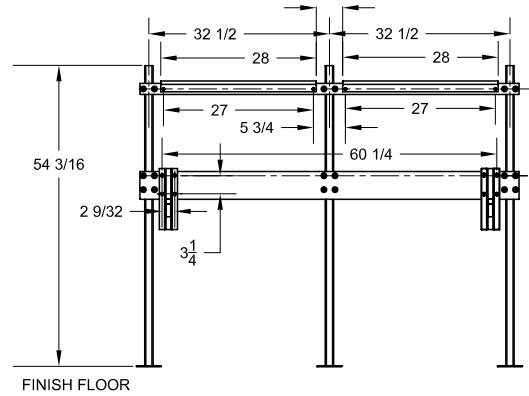
FHCSS-32



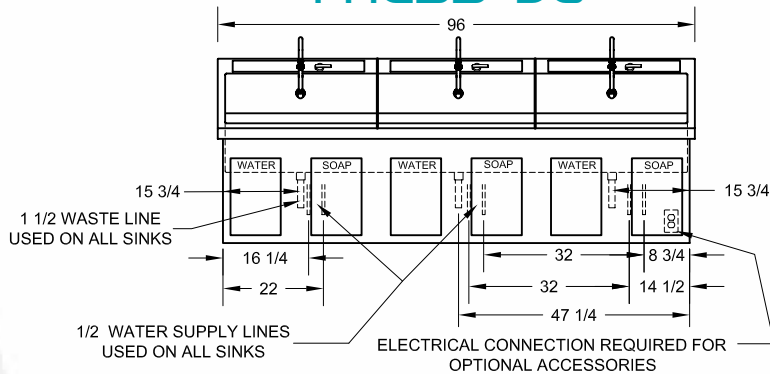
FHCSS-64



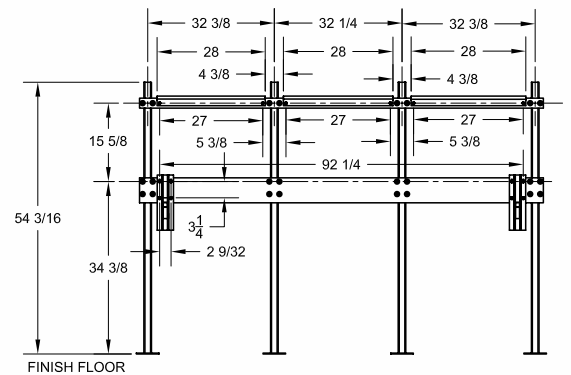
FHCSS-64



FHCSS-96



FHCSS-96



ES SERIES SURGICAL SCRUB SINKS

Our ES series scrub sinks were developed to be the answer to space and economical constraints. The ES series sinks have a smaller outside dimension but still have a deep basin to allow for a proper scrub. The operation of the ES sinks are the same as that of the SS series sinks but the features do vary.

ES Series Scrub Sink Standard Features:

- Deep sloping basin
- Adjustable thermostatic controlled pressure regulating mixing valve, one per station mounted under sink
- High mount swivel gooseneck spout with adjustable swivel spray aerator
- Flow control valve
- Backflow preventers
- Infrared sinks are equipped with a 24 volt plug in transformer
- Z-brackets (See specifications on rear panel for in-wall support)
- 304 stainless steel polished and ground to a #4 finish



Single Station Scrub Sink
Model # FHCES25-IR-MB



Dual Station Scrub Sink
Model # FHCES47-IR

How To Order ES Series Sinks:

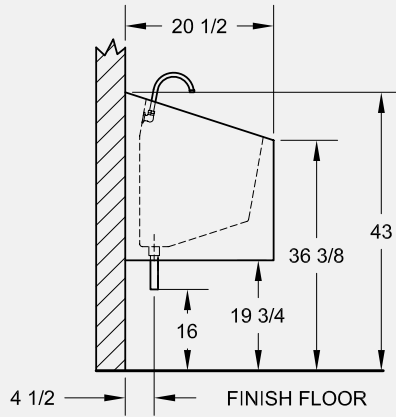
Options Available	Infrared Operation	Manual Bypass to add Knee Operated Water and Soap With IR Operation	Knee Operated Soap (Soap Is Not A Standard Feature With Knee Operated Water on ES series sinks)	Foot Operated Soap (All Sinks)	Digital Scrub Timer	Eye Wash	220-240V	Pedestal Base
Option Extension	IR	MB	KSP	FSP	TM	EYE	220	PB

Single Station Scrub Sink: Model # FHCES25 - ____ - ____ - ____ - ____ - ____ - ____ - ____ - ____

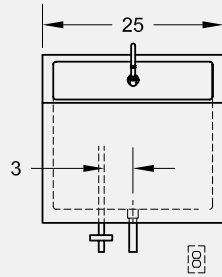
Dual Station Scrub Sink: Model # FHCES47 - ____ - ____ - ____ - ____ - ____ - ____ - ____ - ____

Example: Model # FHCES47 with infrared operated and knee operated soap and water plus digital scrub timer = model # FHCES47-IR-MB-TM.

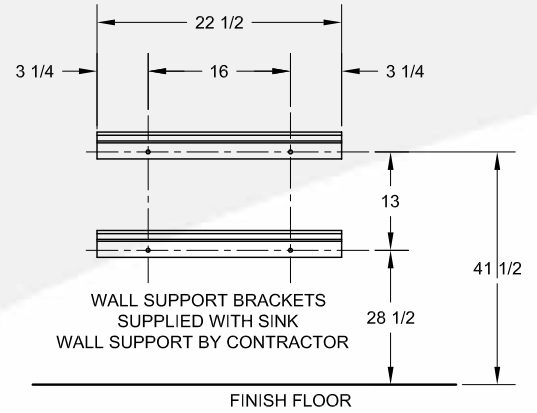
ES Series Surgical Scrub Sinks Specs:



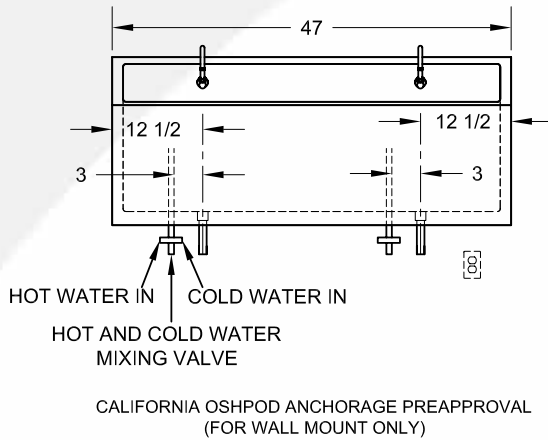
FHCES-25



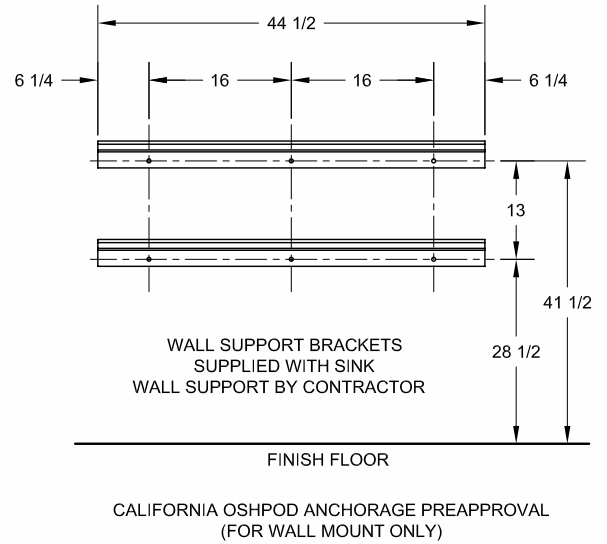
FHCES-25



FHCES-47



FHCES-47



Surgical Scrub Sink Utility Requirements:

Utility	Connection On Unit	Pressure Range	Temperature	Consumption
Drain	1 1/2" x 6" Tail Piece	N/A	N/A	N/A
Cold Water	1/2" NPT	20-50 PSIG	70 Degree F. Max	2 GPM Per Station
Hot Water	1/2" NPT	20-50 PSIG	180 Degree F. Max	2 GPM Per Station
Electrical (IR Units Only)	120V	N/A	N/A	N/A

WARRANTY



All Surgical Scrub Sinks manufactured by Future Health Concepts, Inc. will carry a limited lifetime warranty against manufacturing defects and a one year parts and labor warranty. The factory will service all units without cost to the buyer for one year from shipment. After the one year period, replacement of a defective part will be at buyer's expense. We will exchange all defective parts at no cost to the buyer for a period of one year from shipment. All defective parts must be returned within 30 days to ensure proper credit. An RA from Future Health Concepts, Inc. must be obtained prior to items return.